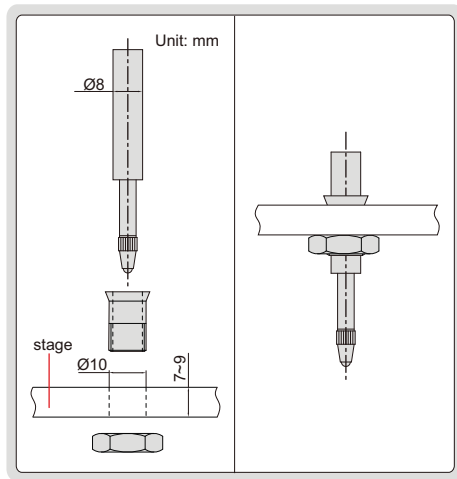
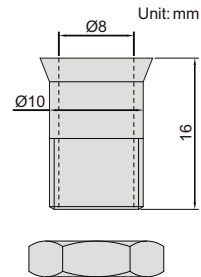


SHAFT SLEEVE



7333



- For dial indicators and probes with shaft diameter $\text{Ø}8\text{mm}$

Code
7333